

# SEIFERT ERESCO 200 MFR3.1



## Directional Radiating Tube Head, air cooled

### Overview

The X-ray tube head consists of a sturdy metal-ceramic X-ray tube and high voltage generator integrated into a rugged compact housing. The air-cooled 200 kV / 600 W end-grounded X-ray tube is thermally protected for extended life.

The high voltage generator produces high-stability direct voltage at higher efficiency than conventional line frequency equipment.

The performance of the X-ray tube and the high voltage generator is continuously monitored for protection and operational safety.

The flexible connecting cable is heavy-duty and light weight.

### Additional Features

- Rugged construction
- Proven reliability
- End-grounded, Be-window, metal-ceramic X-ray tube
- Large 40° x 60° emergent beam
- Modern power electronics provides high stability
- Gas insulated high voltage section reduces size & weight
- EMC - certified under EN 55011 / IEC 801 (electromagnetic compatibility)
- Design approval in compliance with DIN 54113
- Produced under ISO 9001 certified quality management system

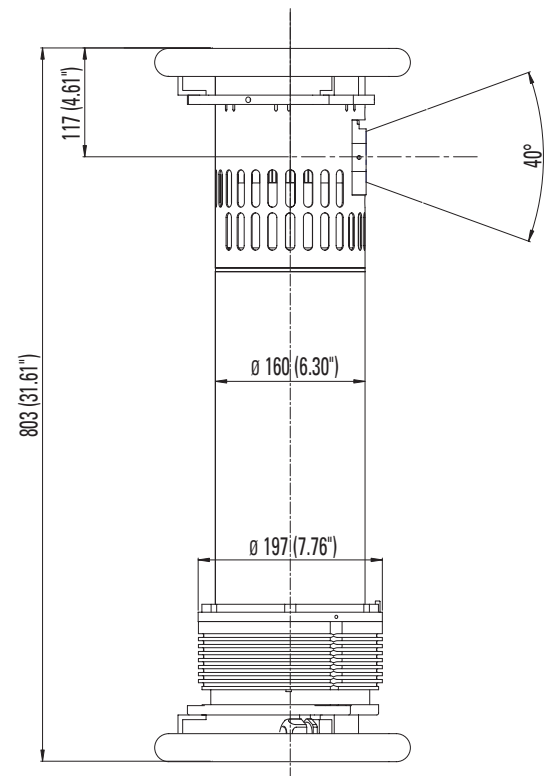
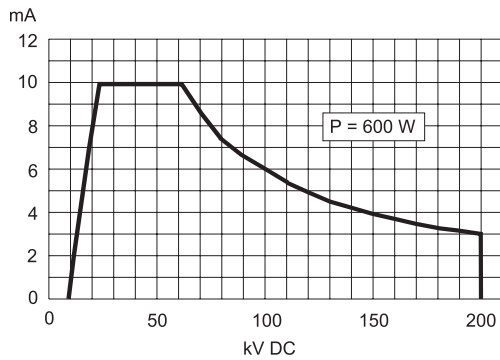
### Standard Delivery Scope of complete X-ray unit

See product information Digital Control "ERESCO MF3 control"

GE imagination at work



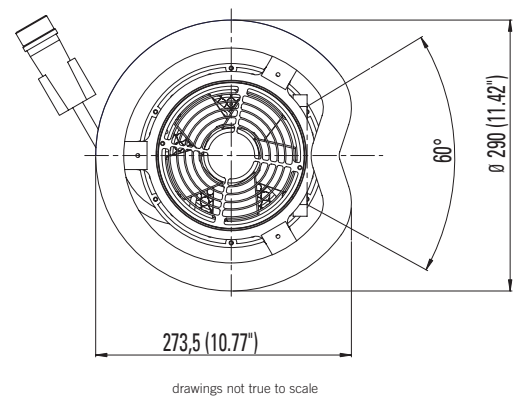
Rating chart



Technical Data

Metal-ceramic X-ray tube

kV range	10 - 200 kV
Tube current	0.5 - 10 mA (3.0 mA /200 kV)
Continuous rating	600 W
Focal spot size (EN 12 543)	1.0 mm (~0.5 IEC 336)
Anode material	Tungsten (W)
Anode temperature, max.	100° C
Target angle	20° (mech.)
Emergent beam	40° x 60°
Inherent filtration	0.8 mm ±0.1 mm, Be
Current and voltage stability	± 1%
Power input, max.	1.0 kVA
Weight of tube head	26.8 kg (59.1 lbs)
Protection class	IP 65



Options

- Diaphragm / collimator attachments
- Pointer and laser centering devices
- Fail-safe flashing warning lamps
- Stands and mounting kits
- Aluminium transport box